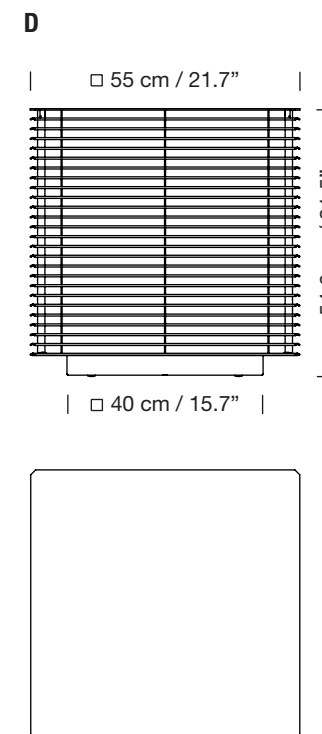
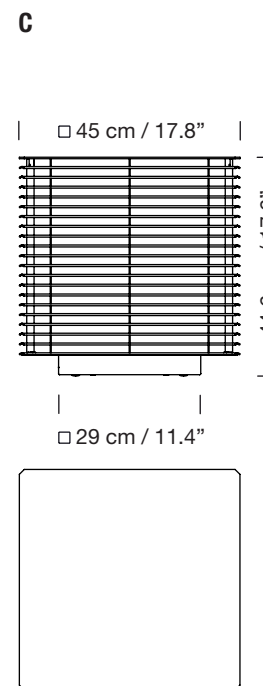
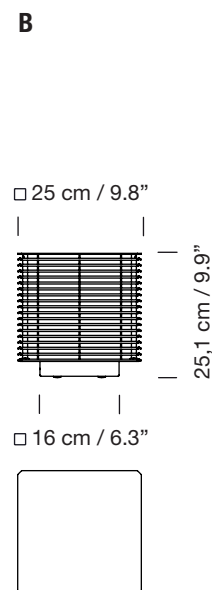
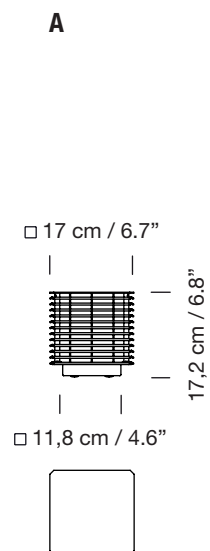


Exterior
Outdoor



A Shiro 17 **B** Shiro 25 **C** Shiro 45 **D** Shiro 55