

Cesta Metálica

Miguel Milá. 1962
Table Lamps



A duel between fragility and strength: the Cesta Metálica is the updated version of the Cesta, with its own distinct features. It comes with or without a smooth leather handle; a stark contrast to the stern, rigid structure, that gently holds an opal globe with out neck.

Miguel Milá mastered the strength of steel by placing at its centre a delicate opal silhouette, and a touch of soft leather. A seamless expression of strength and emotion, combined with everyday practicality.

General description:

Stainless steel structure.

White opal glass lampshade.

Available with or without natural colour leather handle.

Electric cable length: 2,25 m / 88.6"

Approximate weight (unpacked):

Without leather: 5,1 kg / 11.24 lb

With leather: 5,2 kg / 11.46 lb

Technical information:

European version: Light source included (dimnable)

American version: Recommended dimmable light source (not included)

LED bulb: 11 W / 1.521 lm / 2700K

E27 - E26 / Max. hgt. 130 mm / 5.1"

Includes dimmer (dimmable light source required).

Suitable only for indoor use.

Always use the light source recommended or equivalent.

Input voltage: 100, 120, 230 Vac.

(50 Hz / 60 Hz). According to destination

Regulations:

European version

UNE-EN 60598

UNE-EN 55015

UNE-EN 60529

American version

Dry location only

UL-153

E-352592

Cesta Metálica

Miguel Milá. 1962

Table Lamps

Maintenance:

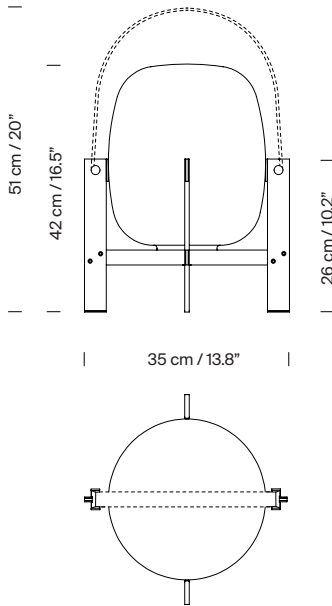
Clean with a smooth cloth. Do not use ammonia, solvents or abrasive cleaning products.

Others:

The lamp is delivered in one package.

The assembly instructions are delivered with the product.

Model:



Collection:

Table lamps



Cesta



Cestita



Cesta Batería



Cesta Metálica



Cestita Metálica

Pendant lamps



Globo Cesta



Globo Cestita

Wall lamps (Outdoor)



Wally Cesta



Wally Cestita

Outdoor lamps



Cesta exterior



Cestita Alubat