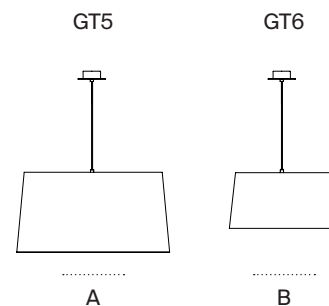


GT5 / GT6

Santa & Cole Team. 1994
Pendant lamp



The GT5 and GT6 are ideal for average-sized spaces and domestic use. The pendant lamps feature beautiful ribbon shades that add elegance and a touch of colour to a neutral room.

General description:

2 lampshade options: GT5 / GT6.

Circular metallic canopy satin nickel or textured white, black finished for a double or simple lamp socket.

Suitable for side entry adaptor.

Lower disk in translucent white PVC:








(A) GT5: Ø 40cm / 15.7"

(B) GT6: Ø 36cm / 14.2"

Suitable for Junction Box Ø 11,7 cm / 4.6" (UL market).

Electric cable length: 3 m / 118.1"

Available colours:

 GT5, GT6 Natural ribbon	 GT5, GT6 Red-amber ribbon	 GT5, GT6 Black ribbon	
 GT5, GT6 Tile Raw Color ribbon	 GT5, GT6 Mustard Raw Color ribbon	 GT5, GT6 Green Raw Color ribbon	 GT6 White linen

Approximate weight (unpacked):

GT5: 3,5 kg / 7.7 lb

GT6: 2,5 kg / 5.5 lb

Light source:

Recommended light sources:

1 x / 2 x LED bulb 10 W

Other light sources: Máx. 100 W

E27 - E26

(Max. hgt. 130 mm / 5.1")

Light source not included.

Suitable only for indoor use.

Always use the light source recommended or equivalent.

Input voltage: 100, 120, 230 Vac.

(50 Hz / 60 Hz). According to destination

GT5 / GT6

Santa & Cole Team. 1994
Pendant lamp

Regulations:

CE
UNE-EN 60598
UNE-EN 55015
UNE-EN 60529

UL

Dry location only
UL-1598
E-353545

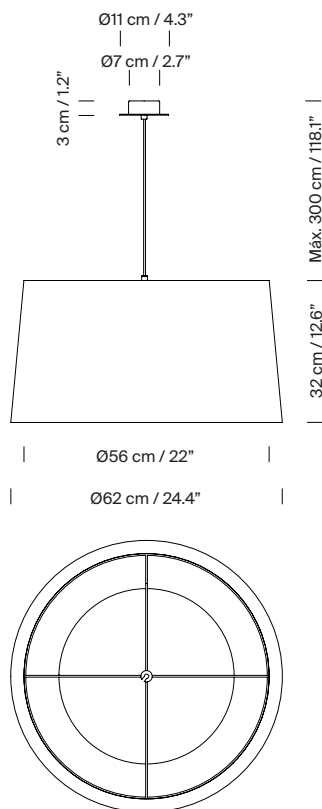
Maintenance:

Clean with a smooth cloth. Do not use ammonia, solvents or abrasive cleaning products.

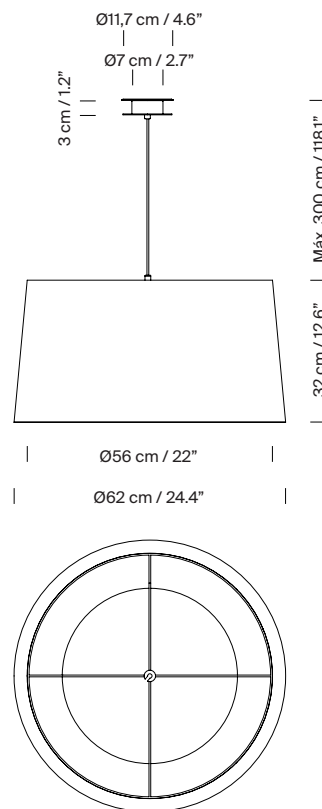
Others:

The lamp is delivered in different packages.
The assembly instructions are delivered with the product.

Model A: GT5



CE

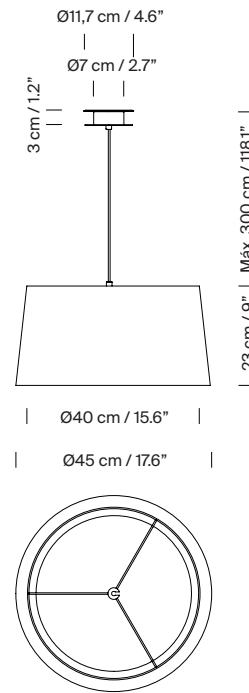
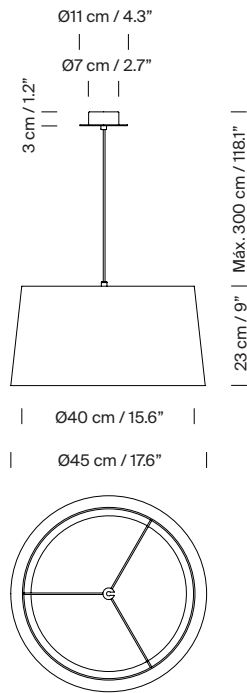


c UL US

GT5 / GT6

Santa & Cole Team. 1994
Pendant lamp

Model B: GT6



Collection:

Table lamps



Tripede G6 / M3

Floor lamps



Tripede G5

Pendant lamps



GT5 / GT6



GT7



GT1000 / GT1500

Wall lamps



Comodín