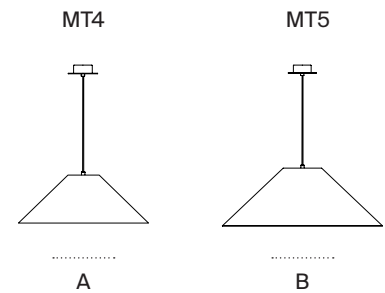


Sísísí Cónicas Planas

Gabriel Ordeig Cole. 1987

Pendant lamps


SANTA & COLE



The flat conical shape of the MT4 and MT5 lampshades have a familiar, archetypal silhouette. Its volume may be robust but it is light in its adaptability to the space.

Designed by Gabriel Ordeig in 1987 as a vindication of cardboard and its warm translucence, this shade is an invitation to make the most of table talks. The two options of stitched cardboard, in beige or white, allow for harmonious coexistence between object and user.

General description:

Stitched beige parchment or white parchment lampshade.

Circular metallic canopy satin nickel or textured white, black finished for a simple lamp socket.

Suitable for side entry adaptor.

Electric cable length: 3 m / 118.1"

Junction Box adaptor included Ø 11,7 cm / 4.6" (American version).

Approximate weight (unpacked):

(A) Sísísí Cónicas Planas MT4: 0,5 kg / 1.1 lb

(B) Sísísí Cónicas Planas MT5: 0,7 Kg / 1.5 lb

Technical information:

Recommended light source (not included):

LED bulb

(A) LED bulb: 4,8 W / 470 lm / 2700 K

E27 - E26 / Max. hgt. 105 mm / 4.1"

(B) LED bulb: 11 W / 1.521 lm / 2700 K

E27 - E26 / Max. hgt. 155 mm / 6.1"

Light source not included.

Suitable only for indoor use.

Always use the light source recommended or equivalent.

Input voltage: 110, 120, 130 Vac.

(50 Hz / 60 Hz). According to destination.

Regulations:

European version

UNE-EN 60598

UNE-EN 55015

UNE-EN 60529

American version

Dry location only

UL-1598

E-336377

Sísí Cónicas Planas

Gabriel Ordeig Cole. 1987

Pendant lamps



SANTA & COLE

Maintenance:

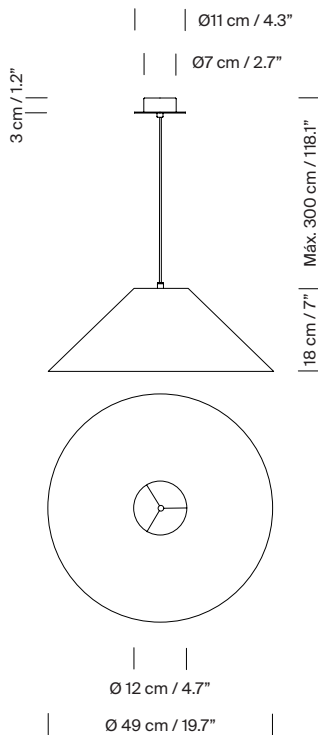
Clean with a smooth cloth. Do not use ammonia, solvents or abrasive cleaning products.

Others:

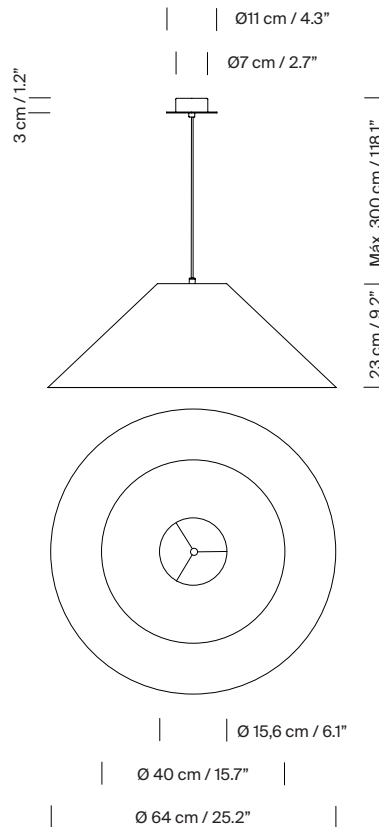
The lamp is delivered in one package.

The assembly instructions are delivered with the product.

Model A: Sísí Cónicas Planas MT4



Model B: Sísí Cónicas Planas MT5



Collection:

Table lamps

Pendant lamps



Básica



Sísí cónicas planas



Sísí cilíndricas



Sísí cónicas



Sísí cónicas largas